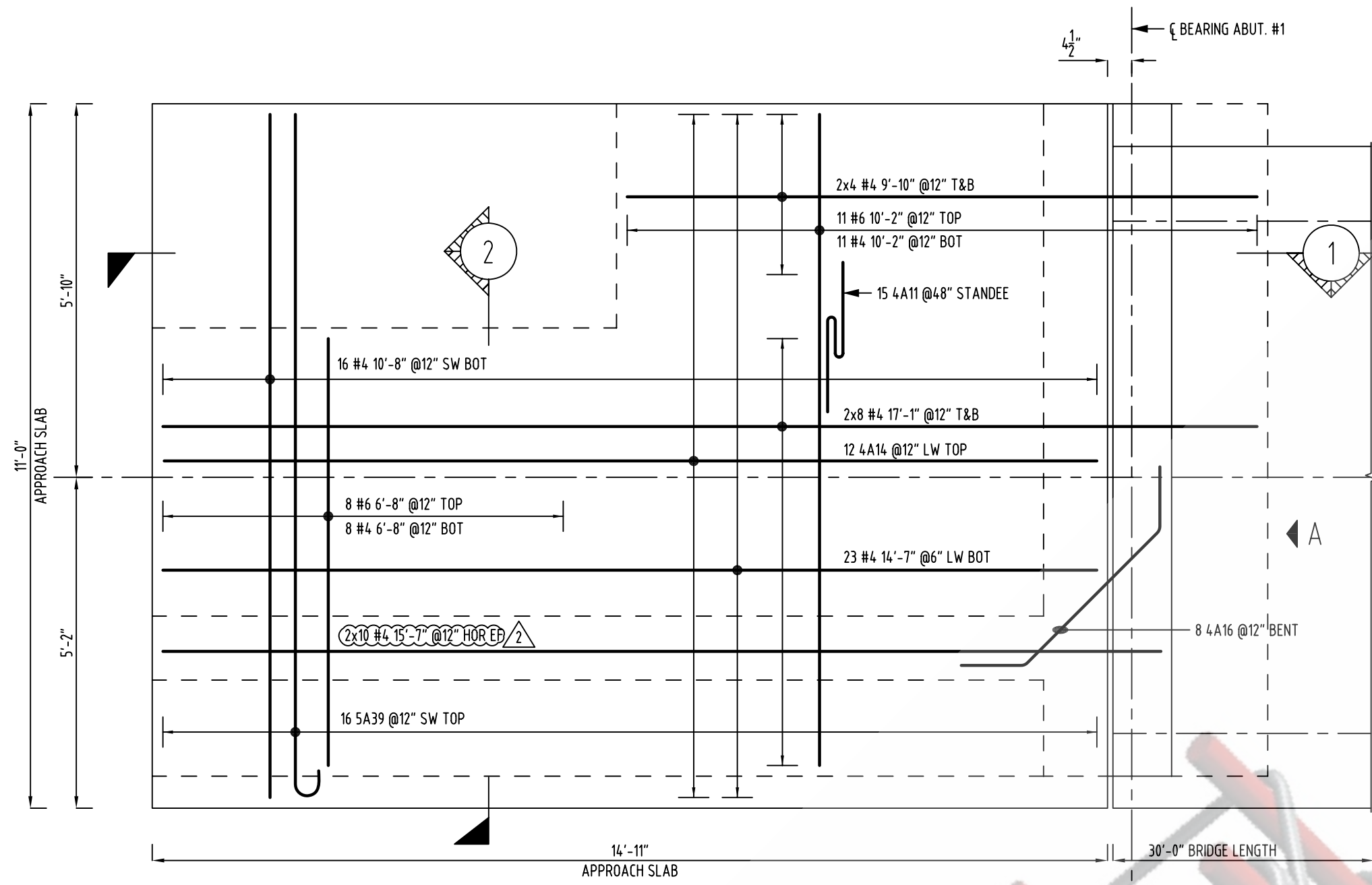
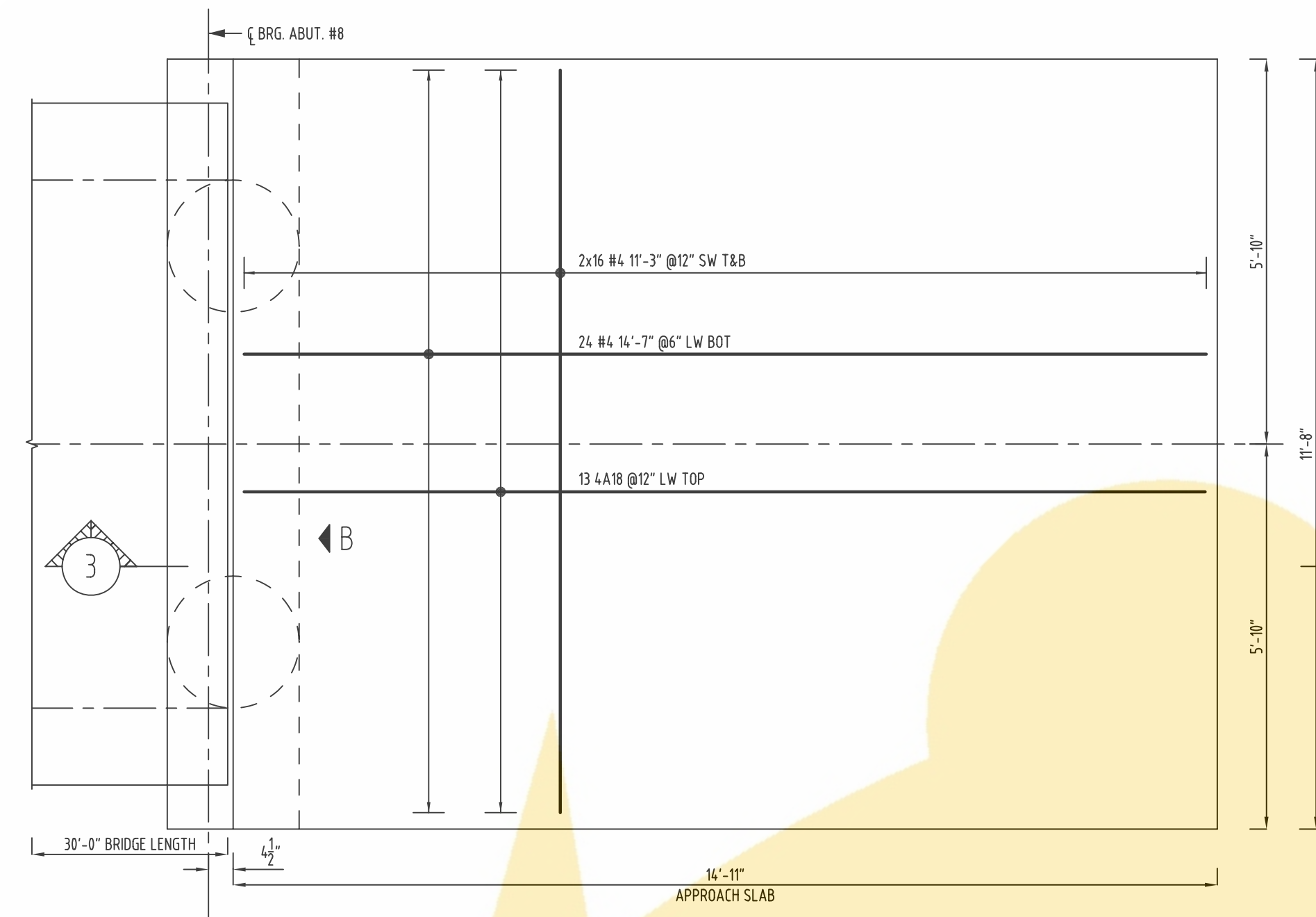


PARTIAL CAISSONS, ABUTMENT & BRIDGE DECK REBAR LAYOUT
 SCALE: 1/5"=1'-0"
 SDR: 39 & 40

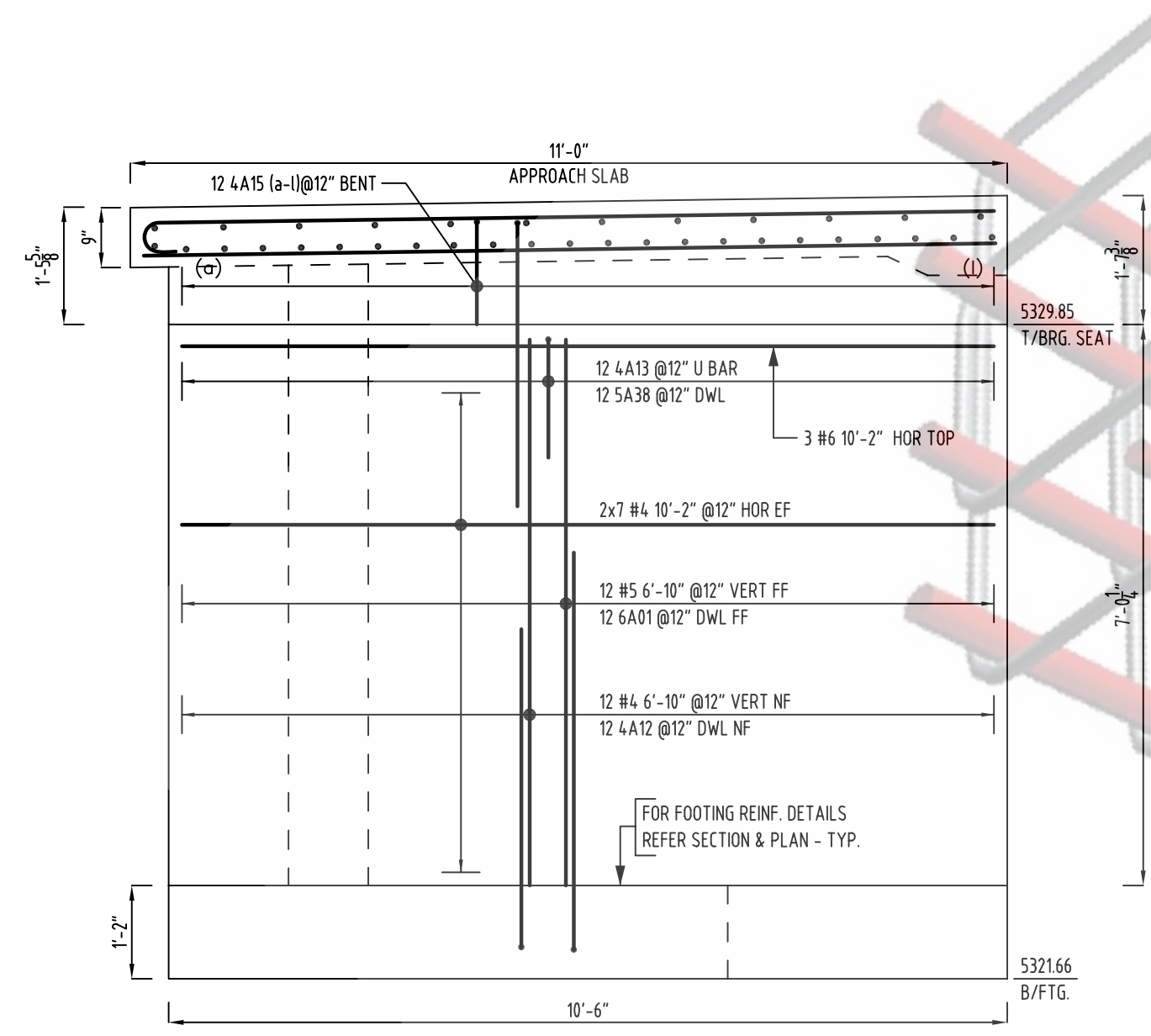
ONCE REBAR SERVICES



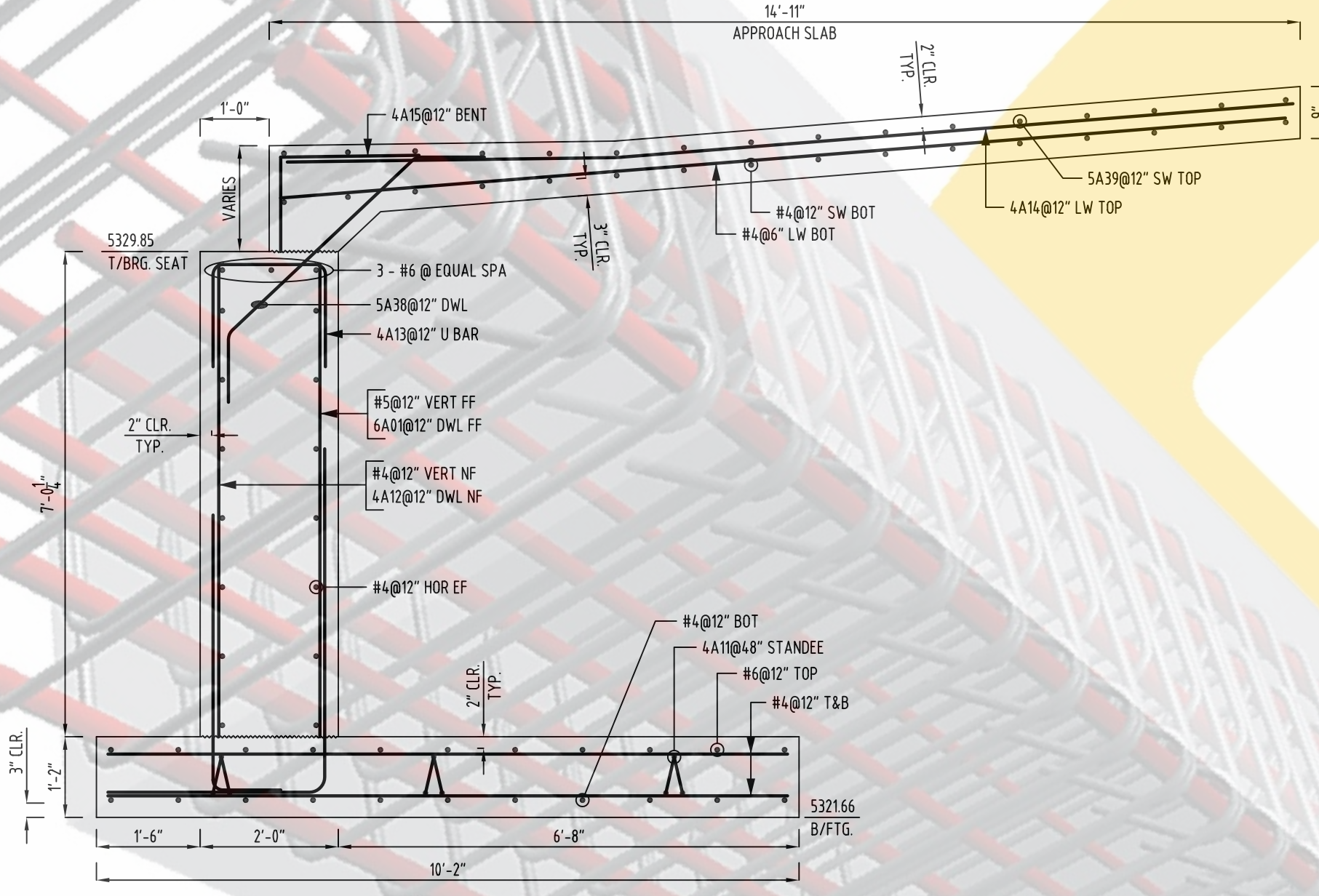
ABUTMENT #1 & APPROACH SLAB REBAR LAYOUT
SCALE: 1/2"=1'-0"
SDR: 42



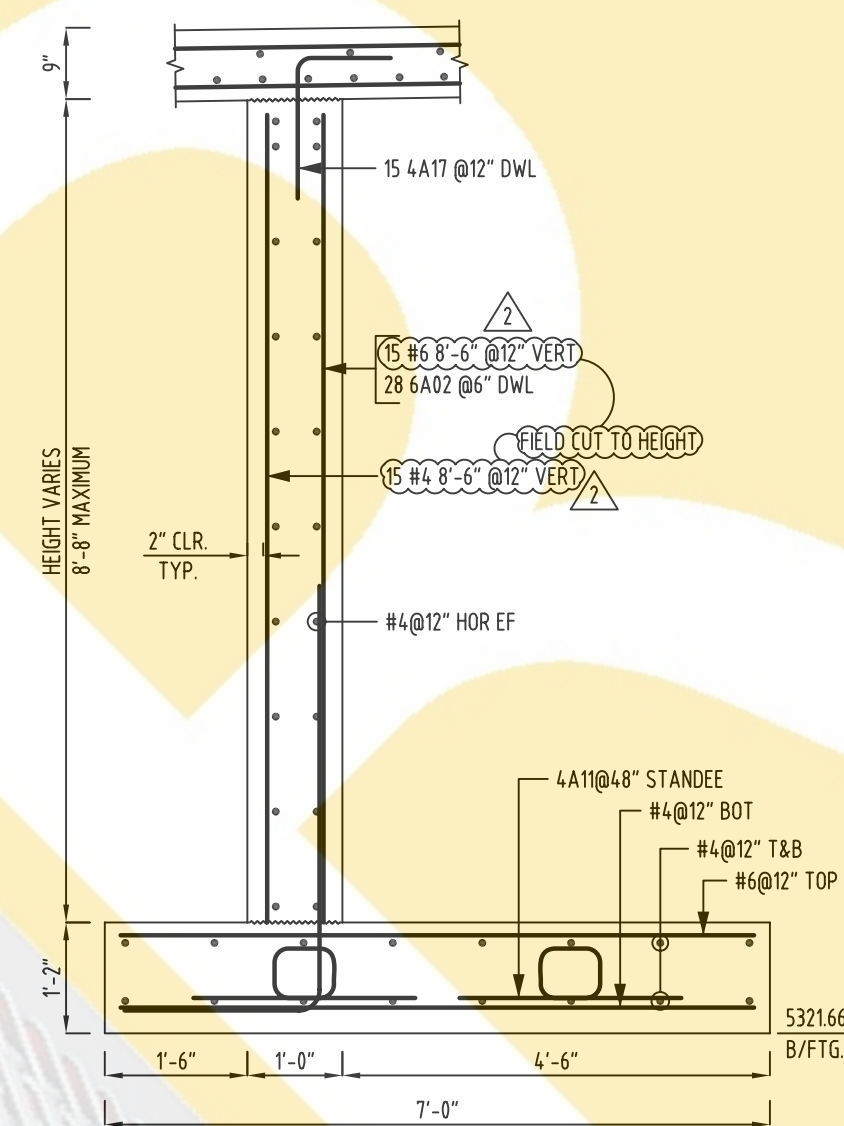
ABUTMENT #8 & APPROACH SLAB REBAR LAYOUT
SCALE: 1/2"=1'-0"
SDR: 43



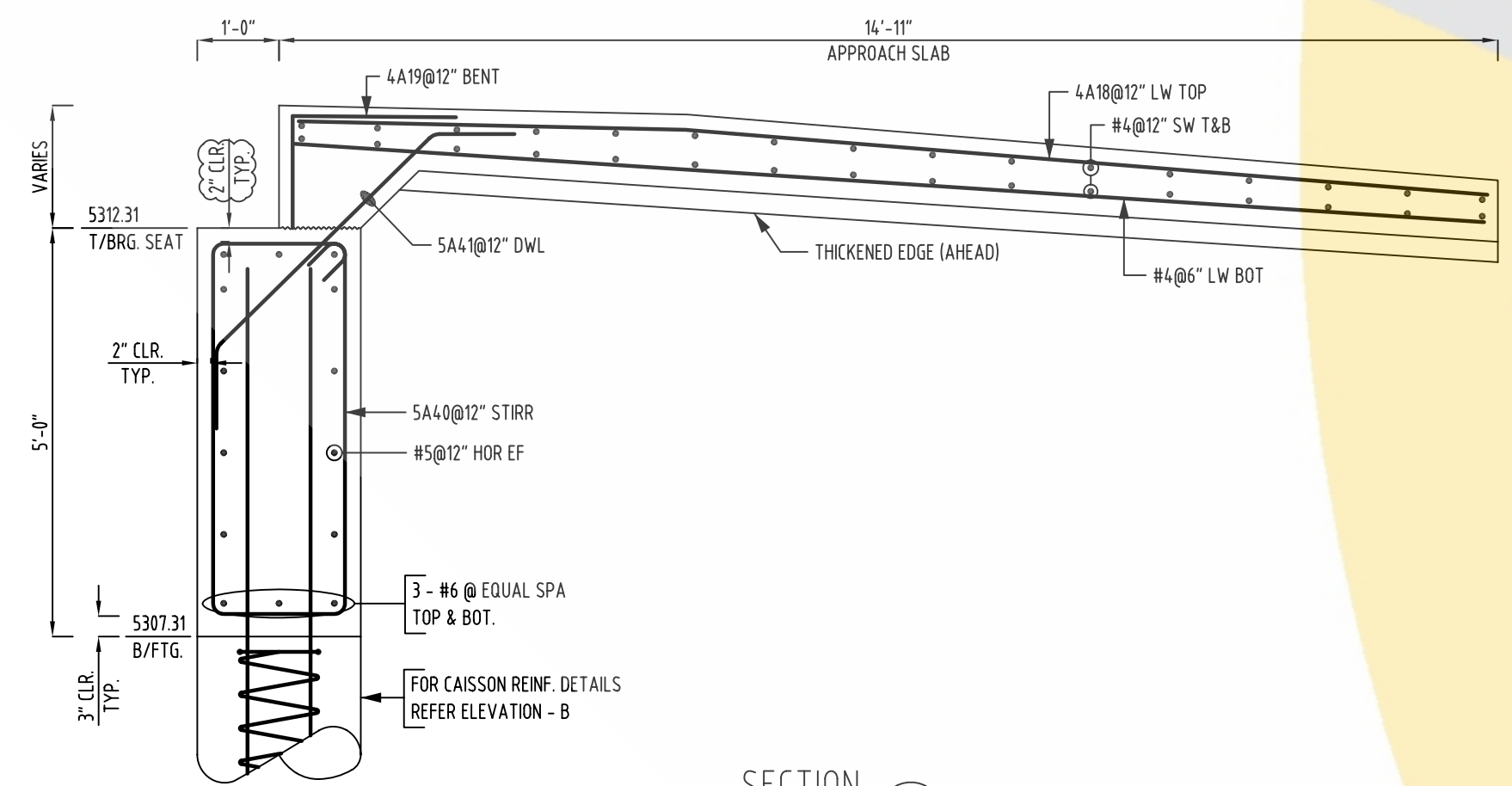
ELEVATION A
SCALE: 1/2"=1'-0"
SDR: C/42



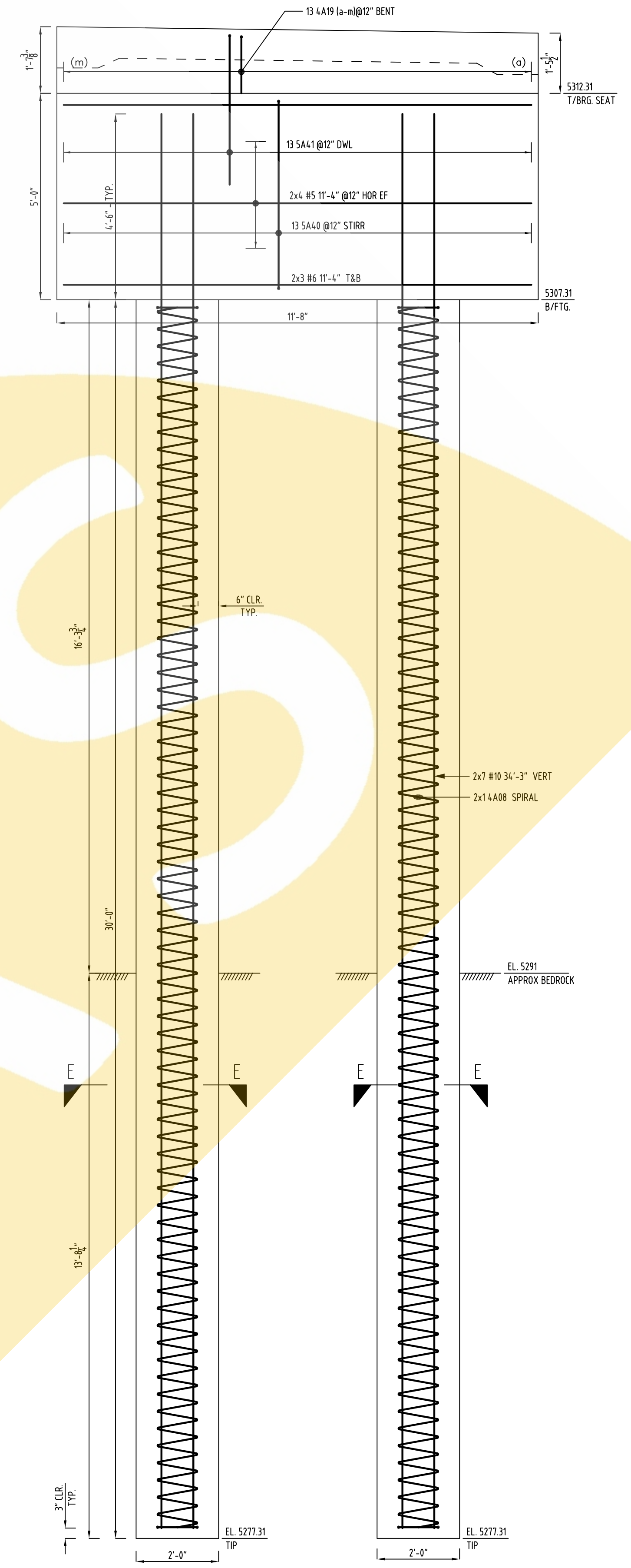
SECTION 1
SCALE: 1/2"=1'-0"
SDR: A/42



SECTION 2
SCALE: 1/2"=1'-0"
SDR: A/19

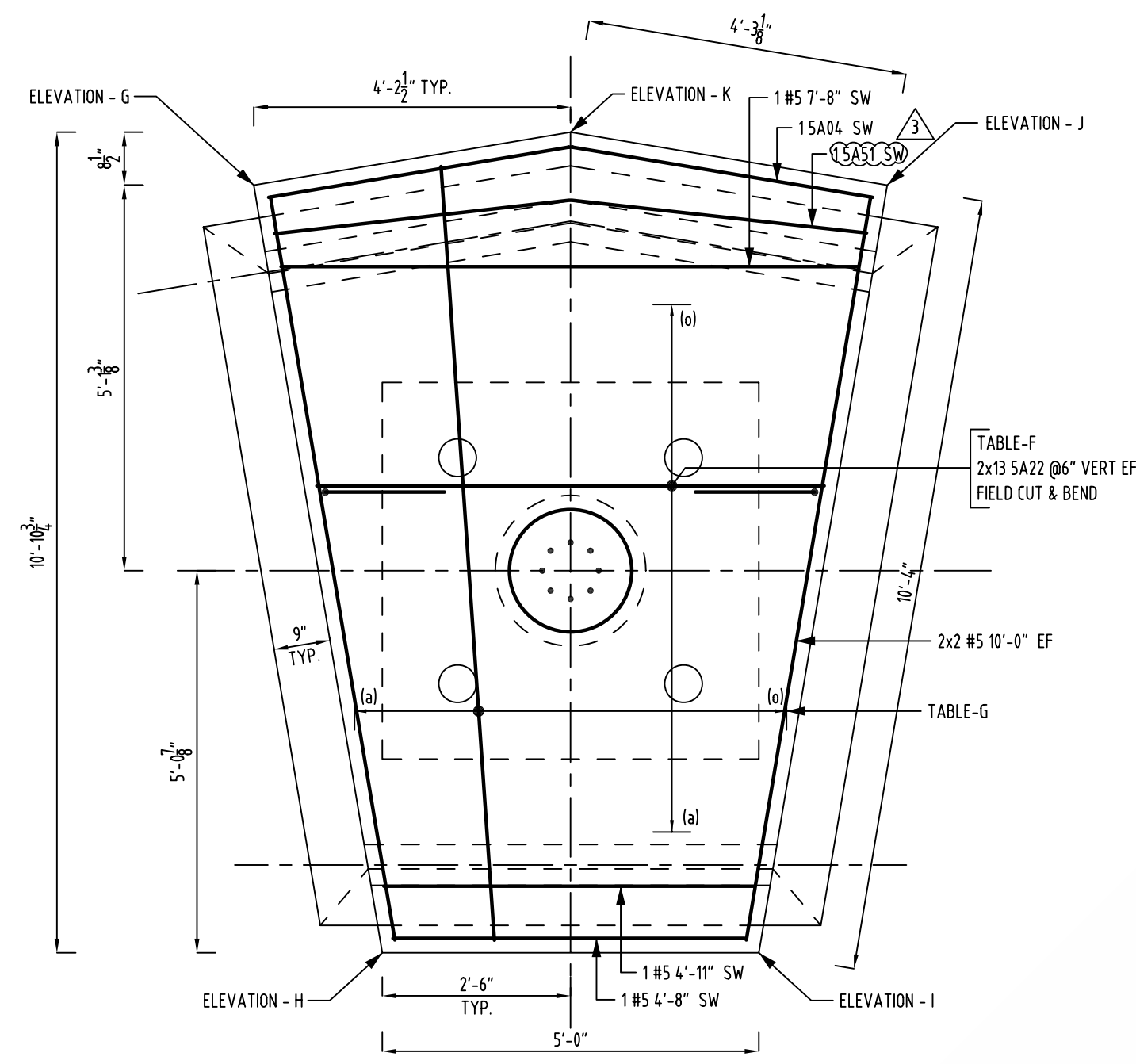


SECTION 3
SCALE: 1/2"=1'-0"
SDR: A/43

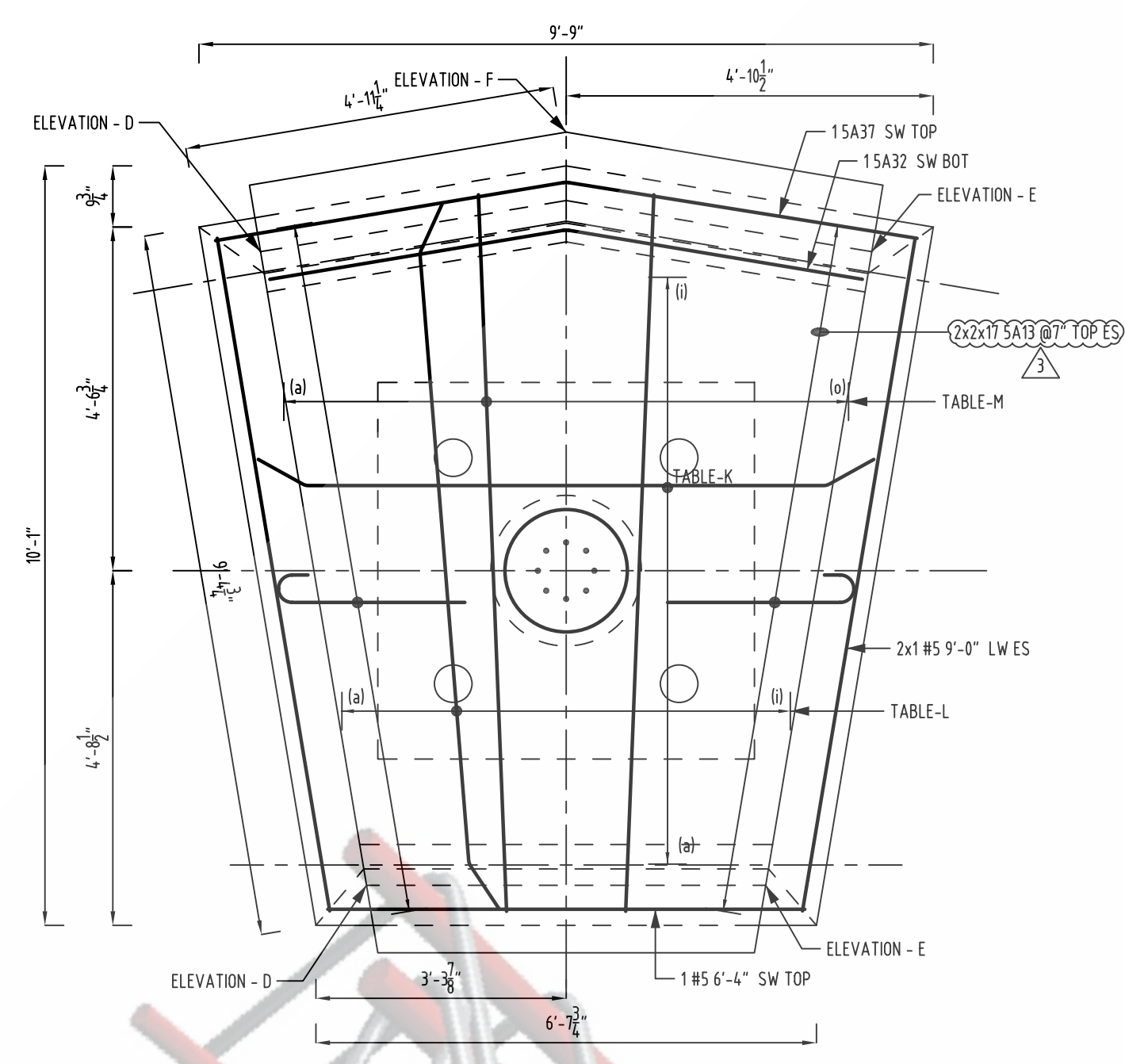


ELEVATION B
SCALE: 1/2"=1'-0"
SDR: C/43

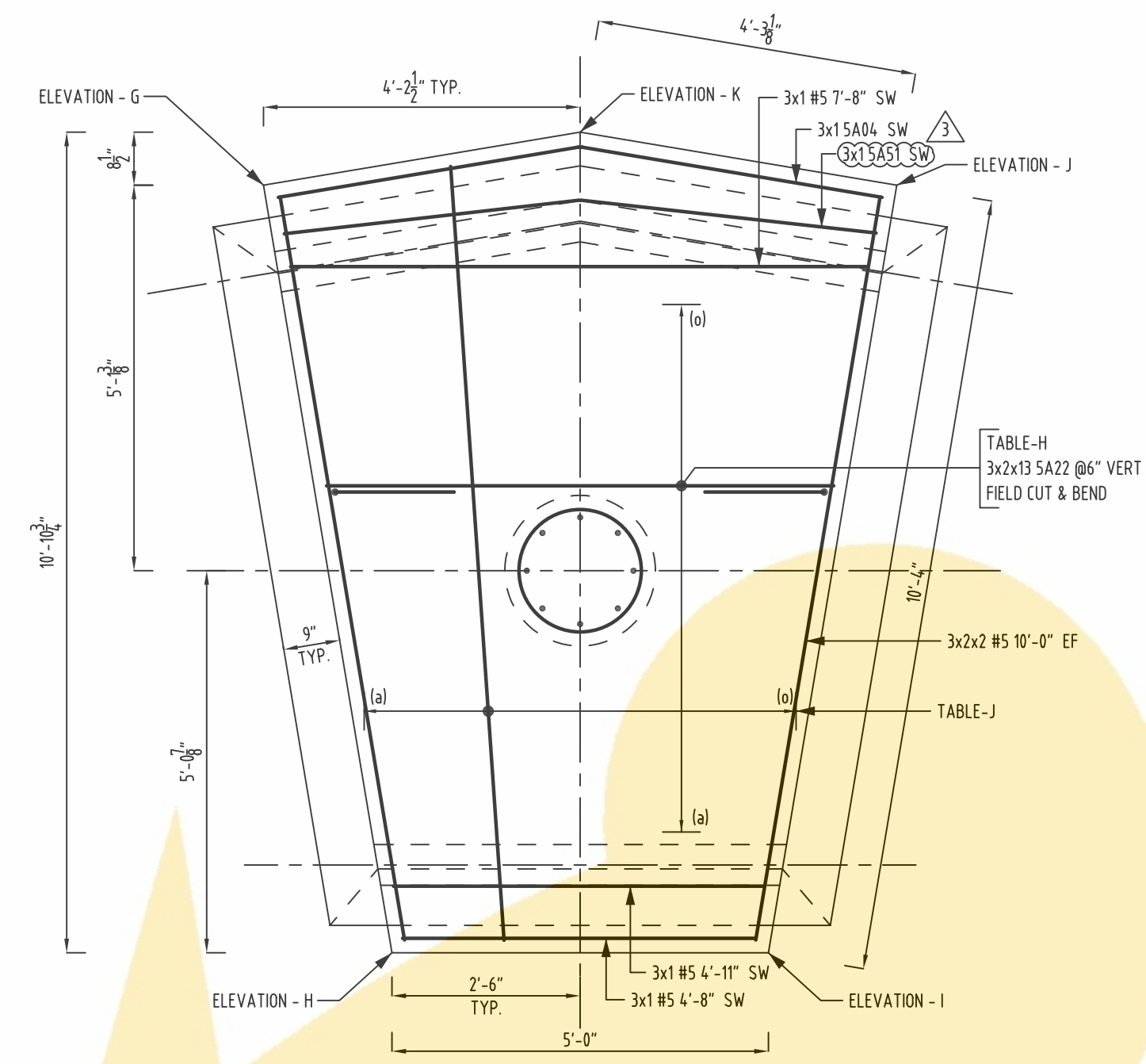
ONCE REBAR SERVICES



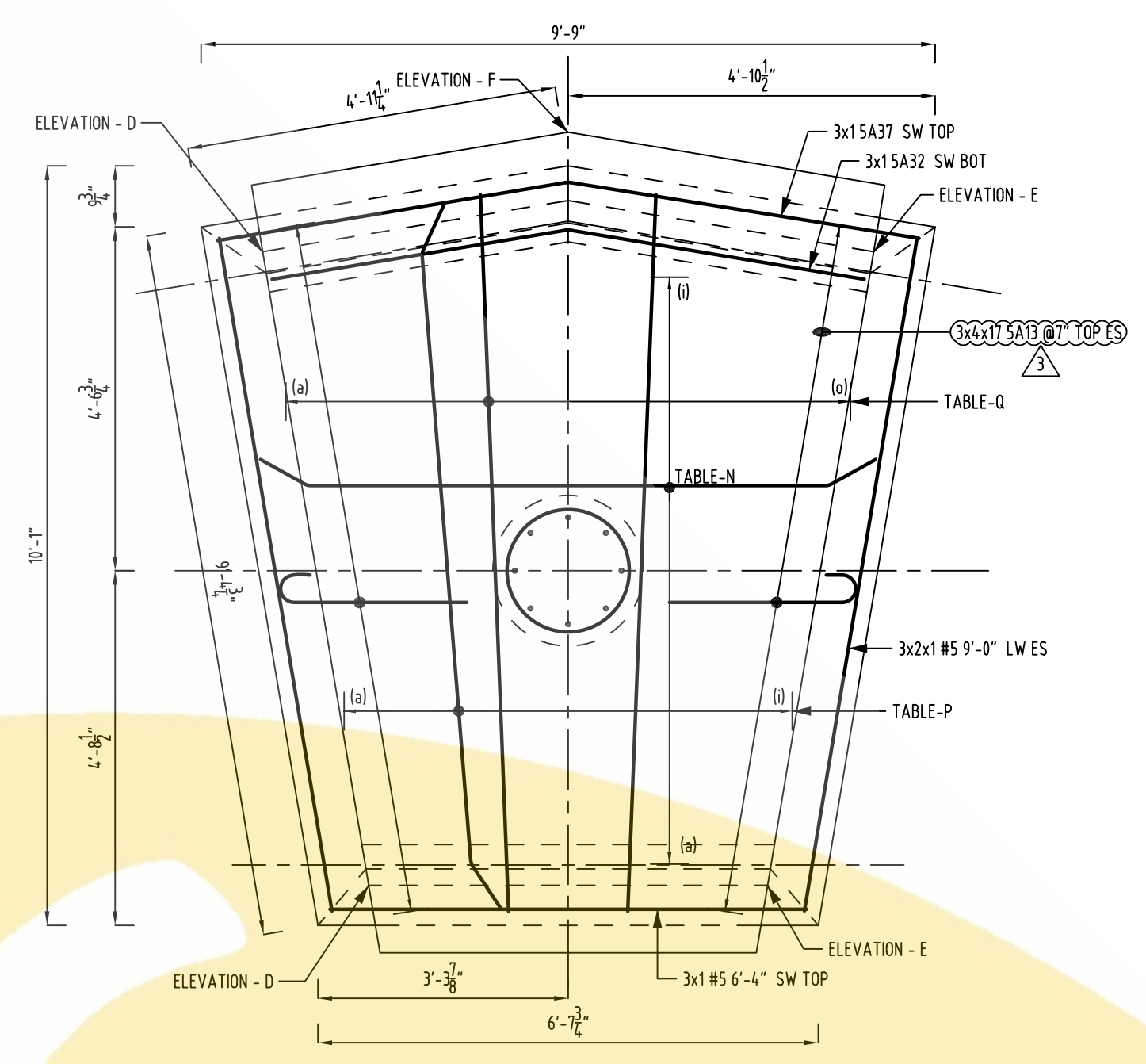
PIER #2 DECK REBAR LAYOUT
SCALE: 1/2"=1'-0"
SDR: B/44



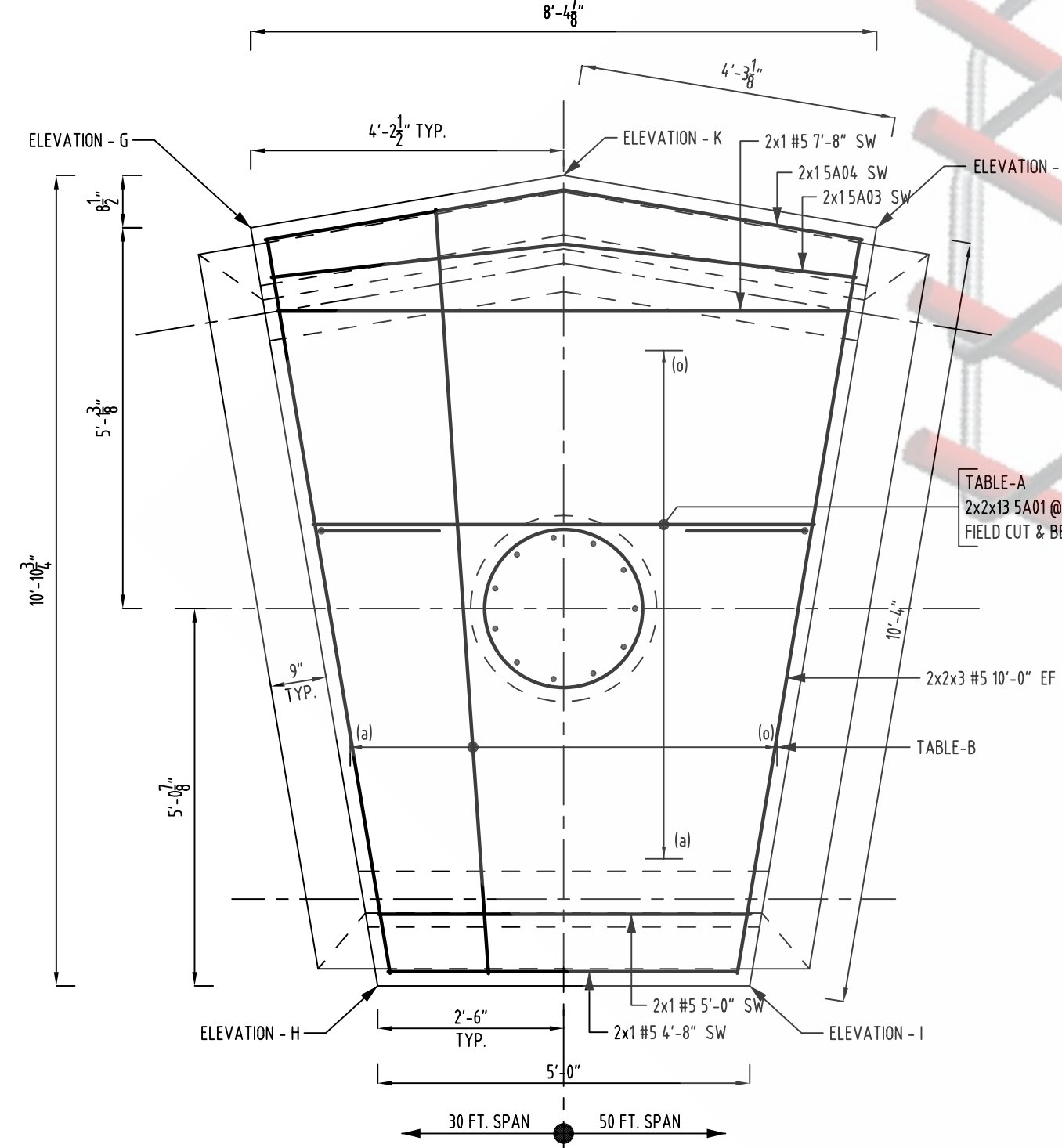
PIER #2 CAP REBAR LAYOUT
SCALE: 1/2"=1'-0"
SDR: C/44



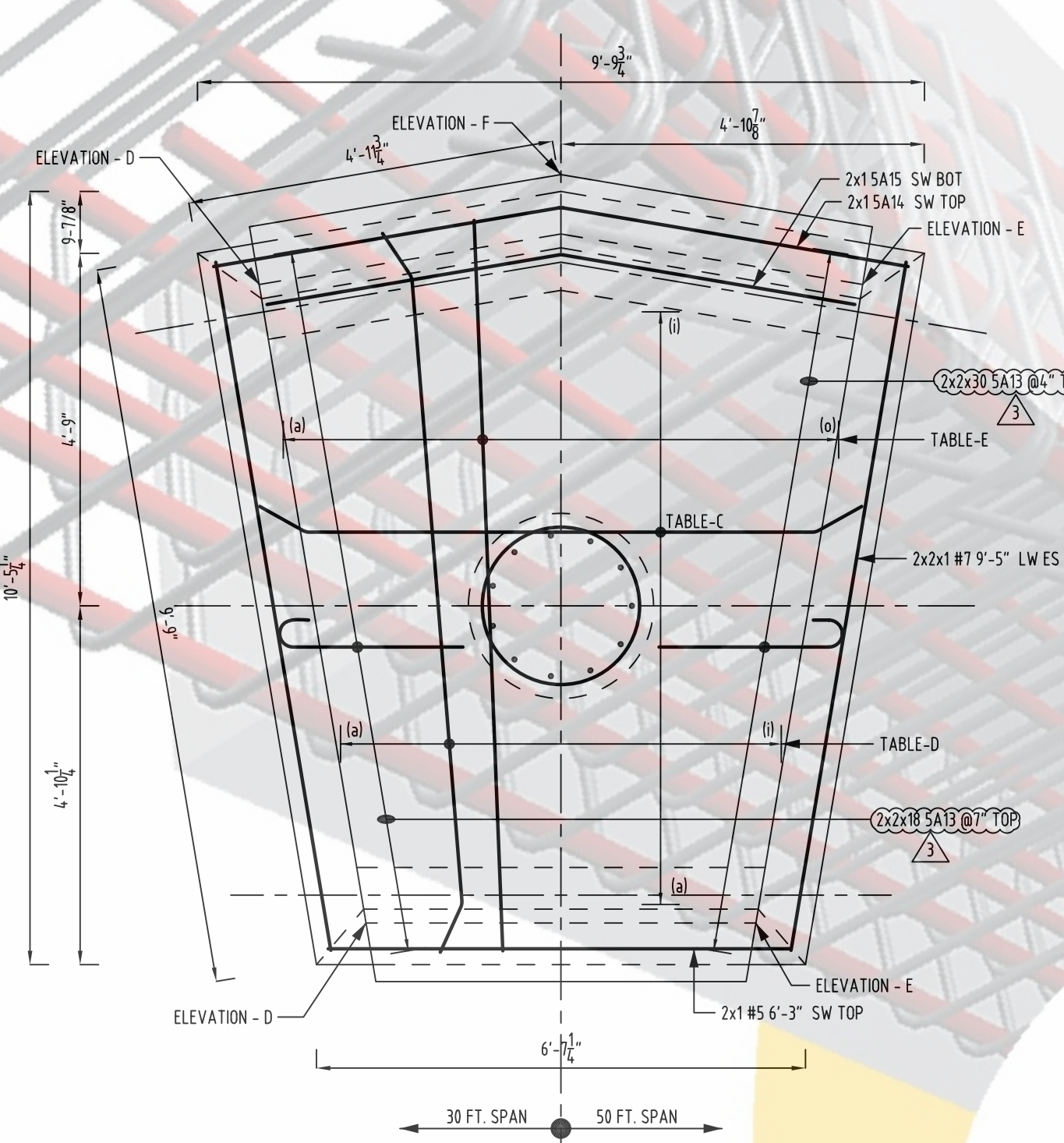
PIER #3, #6 & #7 DECK REBAR LAYOUT
SCALE: 1/2"=1'-0"
SDR: B/44
(3-LOC)



PIER #3, #6 & #7 CAP REBAR LAYOUT
SCALE: 1/2"=1'-0"
SDR: C/44
(3-LOC)



PIER #4 & #5 DECK REBAR LAYOUT
SCALE: 1/2"=1'-0"
SDR: B/45
(2-LOC)



PIER #4 & #5 CAP REBAR LAYOUT
SCALE: 1/2"=1'-0"
SDR: C/45
(2-LOC)

TABLE - A	
a	2x1 #5 5'-3" @6" SW TOP
	2x1 #5 5'-5" @6" SW TOP
	2x1 #5 5'-7" @6" SW TOP
	2x1 #5 5'-9" @6" SW TOP
	2x1 #5 5'-11" @6" SW TOP
	2x1 #5 6'-1" @6" SW TOP
	2x1 #5 6'-3" @6" SW TOP
	2x1 #5 6'-5" @6" SW TOP
	2x1 #5 6'-7" @6" SW TOP
	2x1 #5 6'-9" @6" SW TOP
	2x1 #5 6'-11" @6" SW TOP
	2x1 #5 7'-1" @6" SW TOP
	2x1 #5 7'-3" @6" SW TOP
	2x1 #5 7'-5" @6" SW TOP
	2x1 #5 7'-7" @6" SW TOP
o	2x1 #5 10'-0" @7" LW TOP

TABLE - B	
a	2x1 #5 10'-0" @7" LW TOP
	2x1 #5 10'-1" @7" LW TOP
	2x1 #5 10'-2" @7" LW TOP
	2x1 #5 10'-3" @7" LW TOP
	2x1 #5 10'-4" @7" LW TOP
	2x1 #5 10'-5" @7" LW TOP
	2x1 #5 10'-6" @7" LW TOP
	2x1 #5 10'-7" @7" LW TOP
	2x1 #5 10'-8" @7" LW TOP
	2x1 #5 10'-9" @7" LW TOP
	2x1 #5 10'-10" @7" LW TOP
	2x1 #5 10'-11" @7" LW TOP
	2x1 #5 10'-12" @7" LW TOP
o	2x1 #5 10'-0" @7" LW TOP

TABLE - C	
a	2x1 #5 10'-0" @7" LW TOP
	2x1 #5 10'-1" @7" LW TOP
	2x1 #5 10'-2" @7" LW TOP
	2x1 #5 10'-3" @7" LW TOP
	2x1 #5 10'-4" @7" LW TOP
	2x1 #5 10'-5" @7" LW TOP
	2x1 #5 10'-6" @7" LW TOP
	2x1 #5 10'-7" @7" LW TOP
	2x1 #5 10'-8" @7" LW TOP
	2x1 #5 10'-9" @7" LW TOP
	2x1 #5 10'-10" @7" LW TOP
	2x1 #5 10'-11" @7" LW TOP
	2x1 #5 10'-12" @7" LW TOP
i	2x1 #5 10'-0" @7" LW TOP

TABLE - D	
a	2x1 #5 10'-0" @7" LW TOP
	2x1 #5 10'-1" @7" LW TOP
	2x1 #5 10'-2" @7" LW TOP
	2x1 #5 10'-3" @7" LW TOP
	2x1 #5 10'-4" @7" LW TOP
	2x1 #5 10'-5" @7" LW TOP
	2x1 #5 10'-6" @7" LW TOP
	2x1 #5 10'-7" @7" LW TOP
	2x1 #5 10'-8" @7" LW TOP
	2x1 #5 10'-9" @7" LW TOP
	2x1 #5 10'-10" @7" LW TOP
	2x1 #5 10'-11" @7" LW TOP
	2x1 #5 10'-12" @7" LW TOP
o	2x1 #5 10'-0" @7" LW TOP

TABLE - E	
a	2x1 #5 9'-5" @7" LW TOP
	2x1 #5 9'-6" @7" LW TOP
	2x1 #5 9'-7" @7" LW TOP
	2x1 #5 9'-8" @7" LW TOP
	2x1 #5 9'-9" @7" LW TOP
	2x1 #5 9'-10" @7" LW TOP
	2x1 #5 9'-11" @7" LW TOP
	2x1 #5 9'-12" @7" LW TOP
o	2x1 #5 9'-5" @7" LW TOP

TABLE - F	
a	1 #5 5'-2" @6" SW TOP
	1 #5 5'-4" @6" SW TOP
	1 #5 5'-6" @6" SW TOP
	1 #5 5'-8" @6" SW TOP
	1 #5 5'-10" @6" SW TOP
	1 #5 5'-12" @6" SW TOP
o	1 #5 5'-2" @6" SW TOP

TABLE - G	
a	1 #5 10'-0" @7" LW TOP
	1 #5 10'-1" @7" LW TOP
	1 #5 10'-2" @7" LW TOP
	1 #5 10'-3" @7" LW TOP
	1 #5 10'-4" @7" LW TOP
	1 #5 10'-5" @7" LW TOP
	1 #5 10'-6" @7" LW TOP
	1 #5 10'-7" @7" LW TOP
	1 #5 10'-8" @7" LW TOP
	1 #5 10'-9" @7" LW TOP
	1 #5 10'-10" @7" LW TOP
	1 #5 10'-11" @7" LW TOP
	1 #5 10'-12" @7" LW TOP
o	1 #5 10'-0" @7" LW TOP

TABLE - H	
a	3x1 #5 5'-2" @6" SW TOP
	3x1 #5 5'-4" @6" SW TOP
	3x1 #5 5'-6" @6" SW TOP
	3x1 #5 5'-8" @6" SW TOP
	3x1 #5 5'-10" @6" SW TOP
	3x1 #5 5'-12" @6" SW TOP
o	3x1 #5 5'-2" @6" SW TOP

TABLE - J	
a	3x1 #5 10'-0" @7" LW TOP
	3x1 #5 10'-1" @7" LW TOP
	3x1 #5 10'-2" @7" LW TOP
	3x1 #5 10'-3" @7" LW TOP
	3x1 #5 10'-4" @7" LW TOP
	3x1 #5 10'-5" @7" LW TOP
	3x1 #5 10'-6" @7" LW TOP
	3x1 #5 10'-7" @7" LW TOP
	3x1 #5 10'-8" @7" LW TOP
	3x1 #5 10'-9" @7" LW TOP
	3x1 #5 10'-10" @7" LW TOP
	3x1 #5 10'-11" @7" LW TOP
	3x1 #5 10'-12" @7" LW TOP
o	3x1 #5 10'-0" @7" LW TOP

TABLE - K	
a	1 #5 10'-0" @7" LW TOP
	1 #5 10'-1" @7" LW TOP
	1 #5 10'-2" @7" LW TOP
	1 #5 10'-3" @7" LW TOP
	1 #5 10'-4" @7" LW TOP
	1 #5 10'-5" @7" LW TOP
	1 #5 10'-6" @7" LW TOP
	1 #5 10'-7" @7" LW TOP
	1 #5 10'-8" @7" LW TOP
	1 #5 10'-9" @7" LW TOP
	1 #5 10'-10" @7" LW TOP
	1 #5 10'-11" @7" LW TOP
	1 #5 10'-12" @7" LW TOP
i	1 #5 10'-0" @7" LW TOP

TABLE - L	
a	1 #5 10'-0" @7" LW TOP
	1 #5 10'-1" @7" LW TOP
	1 #5 10'-2" @7" LW TOP
	1 #5 10'-3" @7" LW TOP
	1 #5 10'-4" @7" LW TOP
	1 #5 10'-5" @7" LW TOP
	1 #5 10'-6" @7" LW TOP
	1 #5 10'-7" @7" LW TOP
	1 #5 10'-8" @7" LW TOP
	1 #5 10'-9" @7" LW TOP
	1 #5 10'-10" @7" LW TOP
	1 #5 10'-11" @7" LW TOP
	1 #5 10'-12" @7" LW TOP
i	1 #5 10'-0" @7" LW TOP

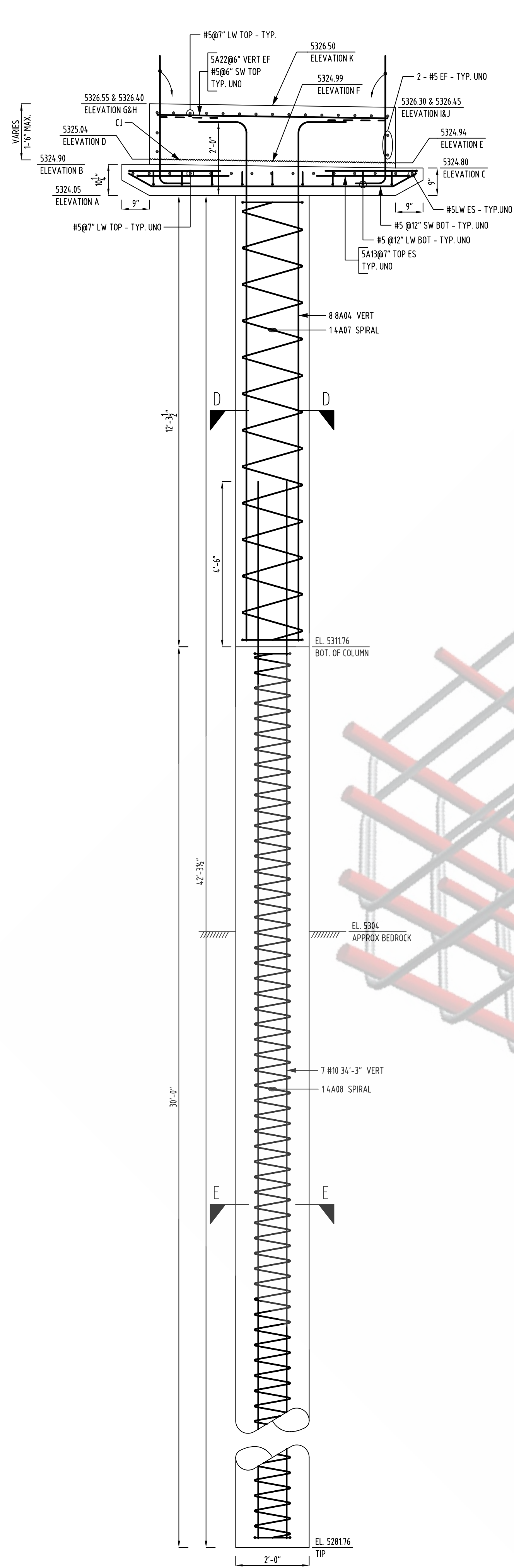
TABLE - M	
a	1 #5 9'-1" @7" LW TOP
	1 #5 9'-2" @7" LW TOP
	1 #5 9'-3" @7" LW TOP
	1 #5 9'-4" @7" LW TOP
	1 #5 9'-5" @7" LW TOP
	1 #5 9'-6" @7" LW TOP
	1 #5 9'-7" @7" LW TOP
	1 #5 9'-8" @7" LW TOP
	1 #5 9'-9" @7" LW TOP
	1 #5 9'-10" @7" LW TOP
	1 #5 9'-11" @7" LW TOP
	1 #5 9'-12" @7" LW TOP
o	1 #5 9'-1" @7" LW TOP

TABLE - N	
a	3x1 #5 5'-2" @6" SW TOP
	3x1 #5 5'-4" @6" SW TOP
	3x1 #5 5'-6" @6" SW TOP
	3x1 #5 5'-8" @6" SW TOP
	3x1 #5 5'-10" @6" SW TOP
	3x1 #5 5'-12" @6" SW TOP
i	3x1 #5 5'-2" @6" SW TOP

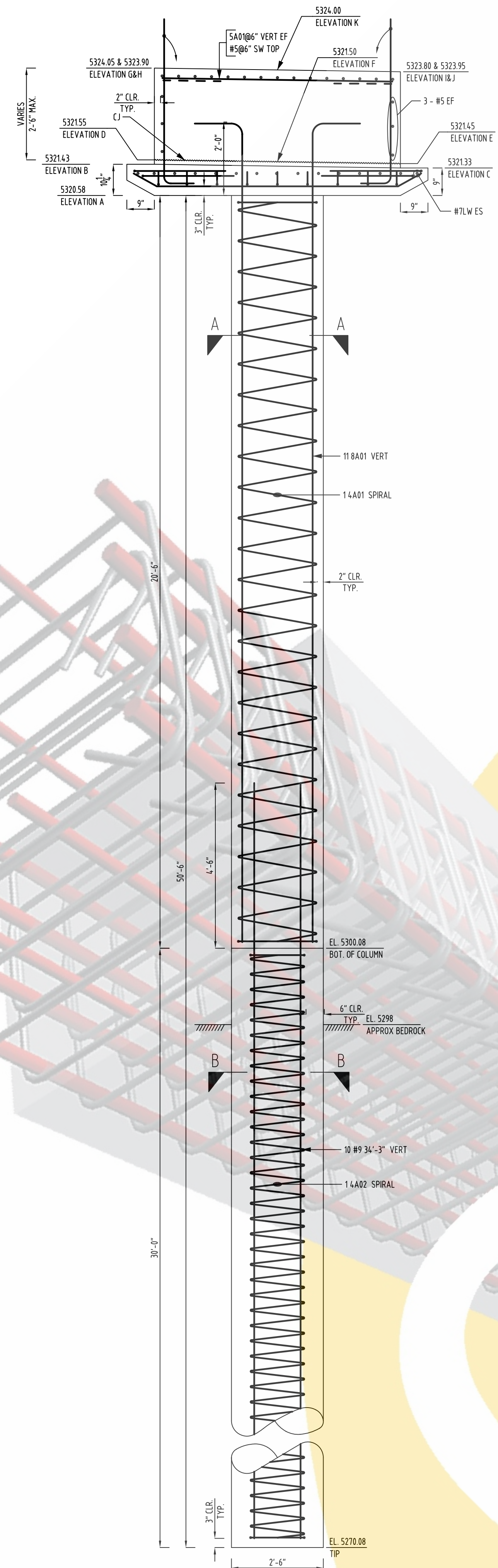
TABLE - P	
a	3x1 #5 10'-0" @7" LW TOP
	3x1 #5 10'-1" @7" LW TOP
	3x1 #5 10'-2" @7" LW TOP
	3x1 #5 10'-3" @7" LW TOP
	3x1 #5 10'-4" @7" LW TOP
	3x1 #5 10'-5" @7" LW TOP
	3x1 #5 10'-6" @7" LW TOP
	3x1 #5 10'-7" @7" LW TOP
	3x1 #5 10'-8" @7" LW TOP
	3x1 #5 10'-9" @7" LW TOP
	3x1 #5 10'-10" @7" LW TOP
	3x1 #5 10'-11" @7" LW TOP
	3x1 #5 10'-12" @7" LW TOP
i	3x1 #5 10'-0" @7" LW TOP

TABLE - Q	
a	3x1 #5 9'-1" @7" LW TOP
	3x1 #5 9'-2" @7" LW TOP
	3x1 #5 9'-3" @7" LW TOP
	3x1 #5 9'-4" @7" LW TOP
	3x1 #5 9'-5" @7" LW TOP
	3x1 #5 9'-6" @7" LW TOP
	3x1 #5 9'-7" @7" LW TOP
	3x1 #5 9'-8" @7" LW TOP
	3x1 #5 9'-9" @7" LW TOP
	3x1 #5 9'-10" @7" LW TOP
	3x1 #5 9'-11" @7" LW TOP
	3x1 #5 9'-12" @7" LW TOP
o	3x1 #5 9'-1" @7" LW TOP

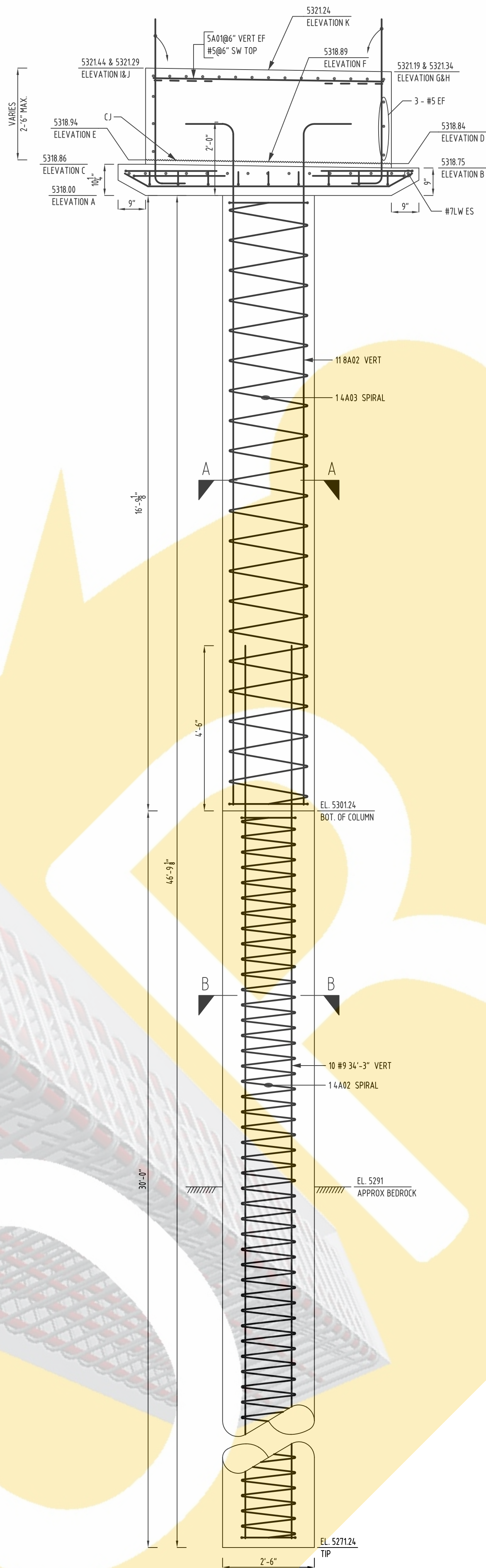
ONCE REBAR SERVICES



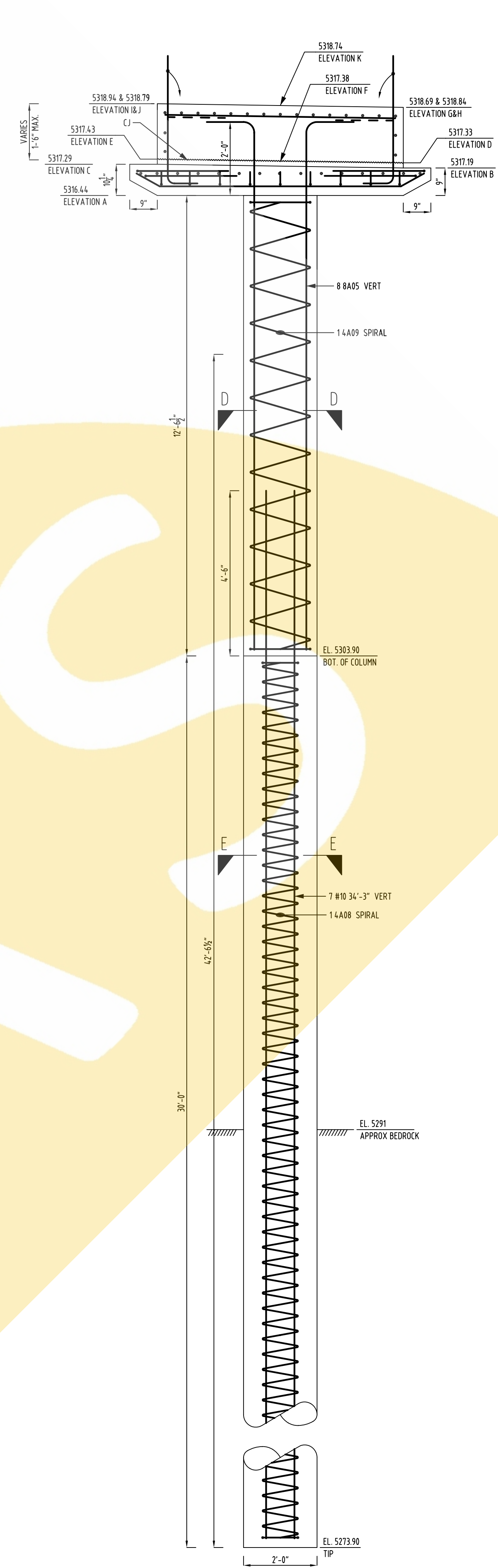
PIER #3
SCALE: 1/2"=1'-0"
SDR: 41 & 44



PIER #4
SCALE: 1/2"=1'-0"
SDR: 41 & 45

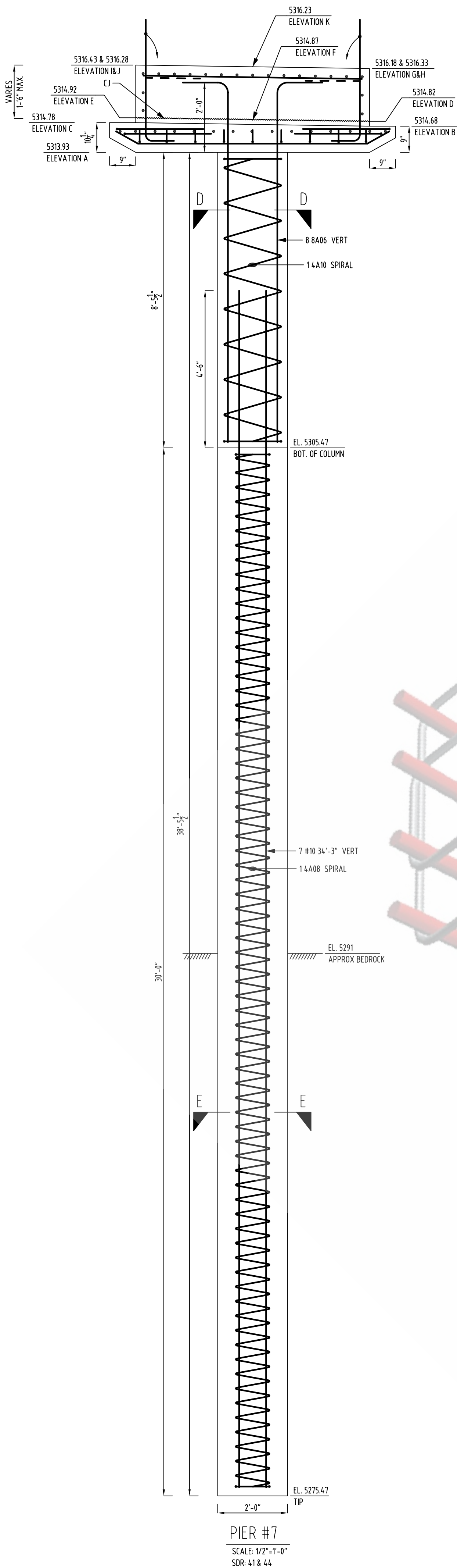


PIER #5
SCALE: 1/2"=1'-0"
SDR: 41 & 45

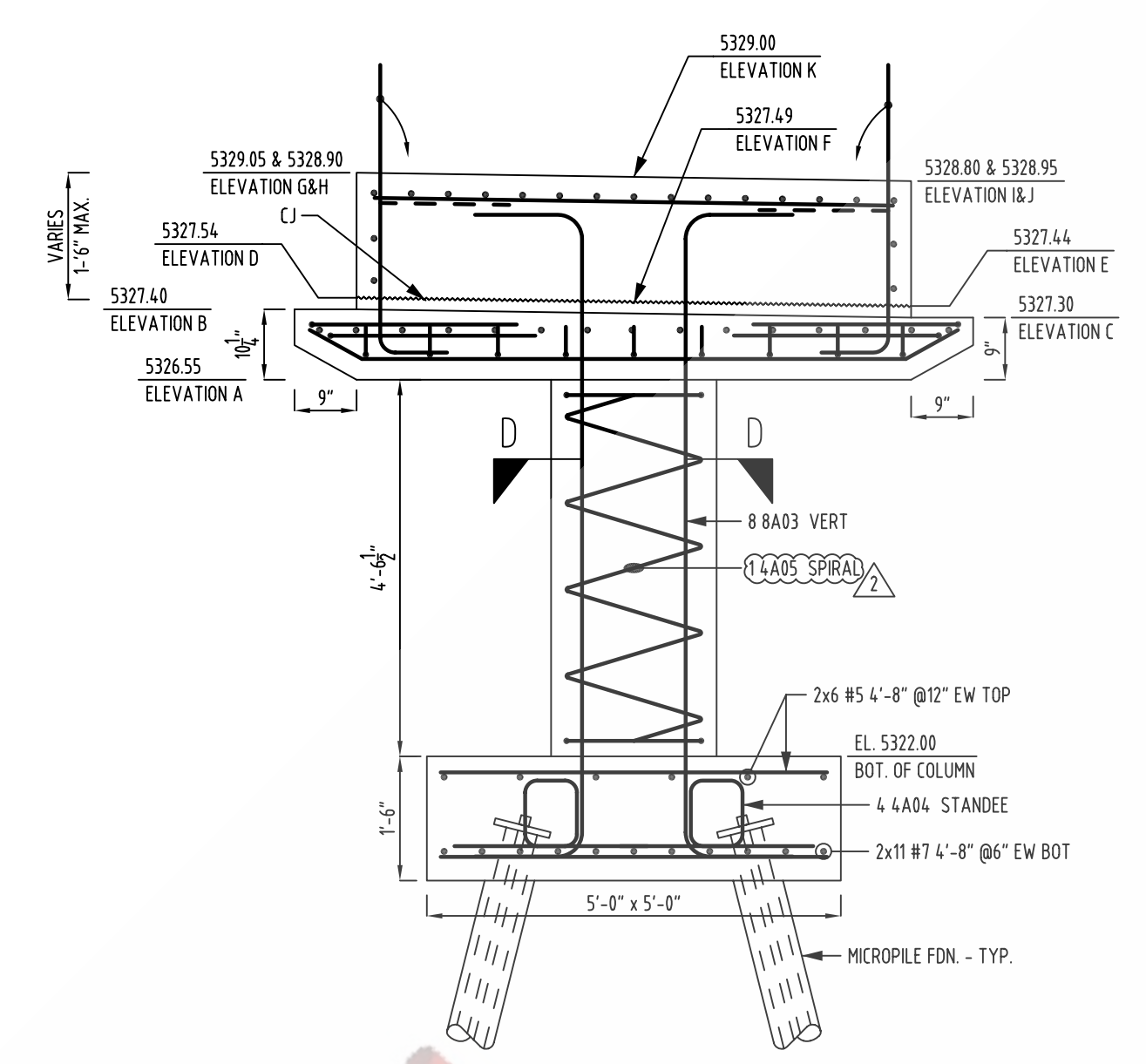


PIER #6
SCALE: 1/2"=1'-0"
SDR: 41 & 44

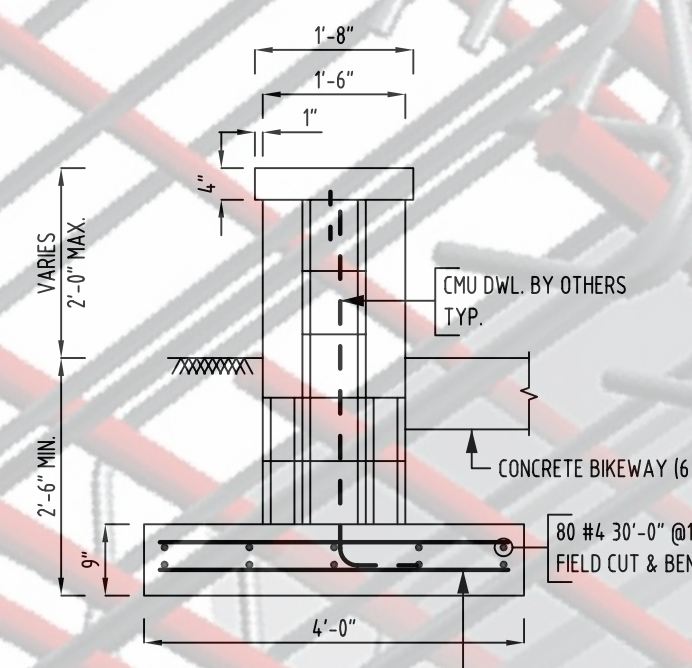
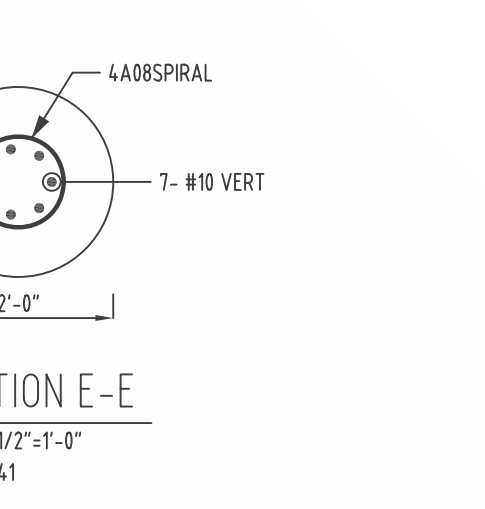
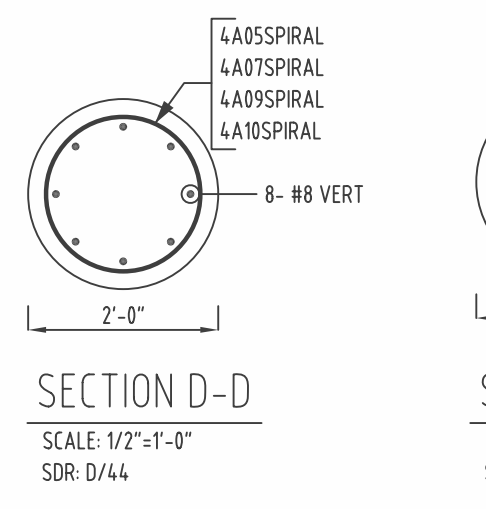
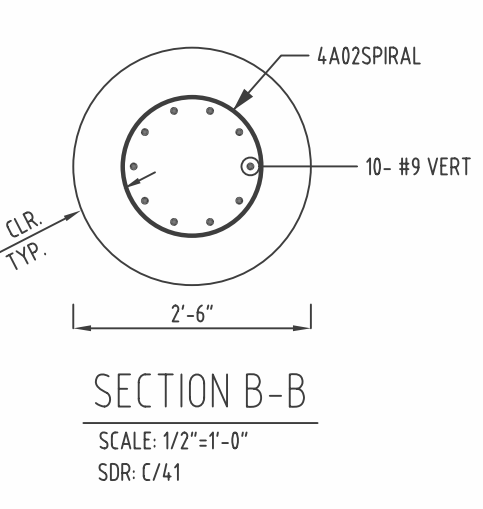
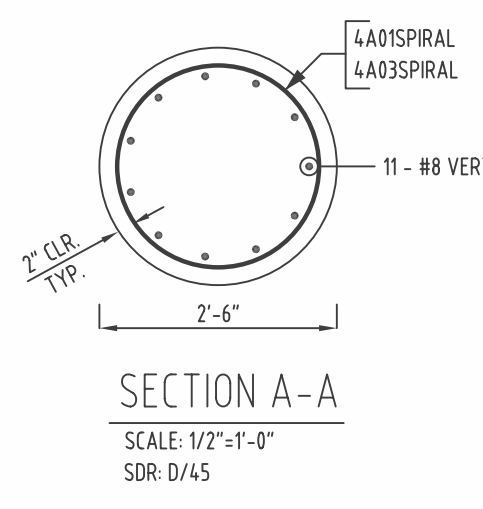
ONCE REBAR SERVICES



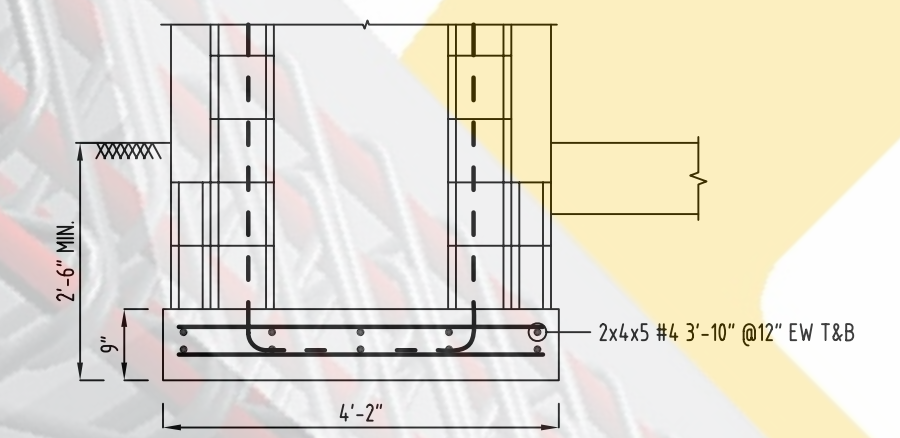
PIER #7
SCALE: 1/2"=1'-0"
SDR: 41 & 44



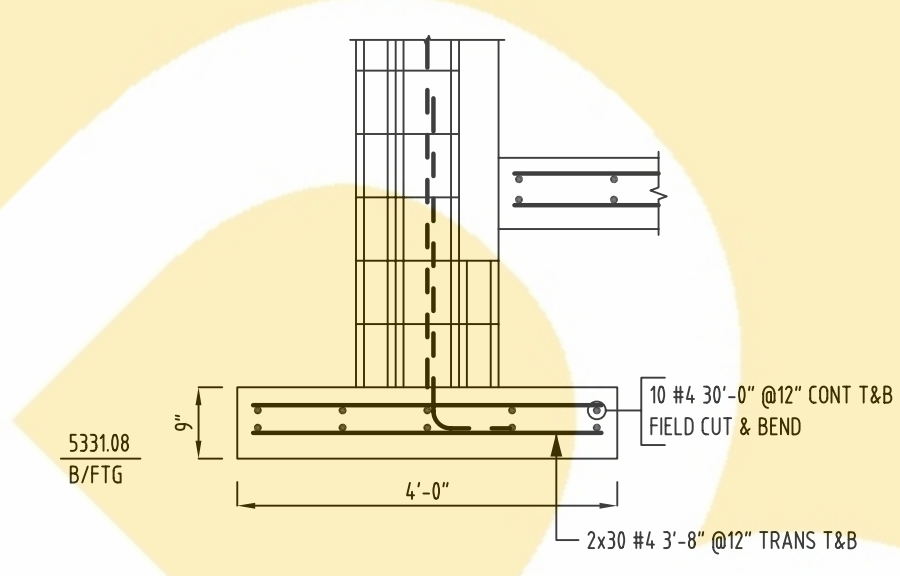
PIER #2
SCALE: 1/2"=1'-0"
SDR: 41 & 44



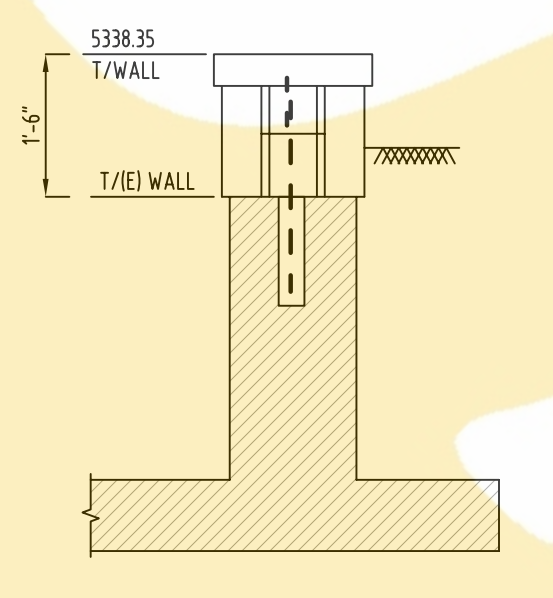
SECTION 4
SCALE: 1/2"=1'-0"
SDR: B/21



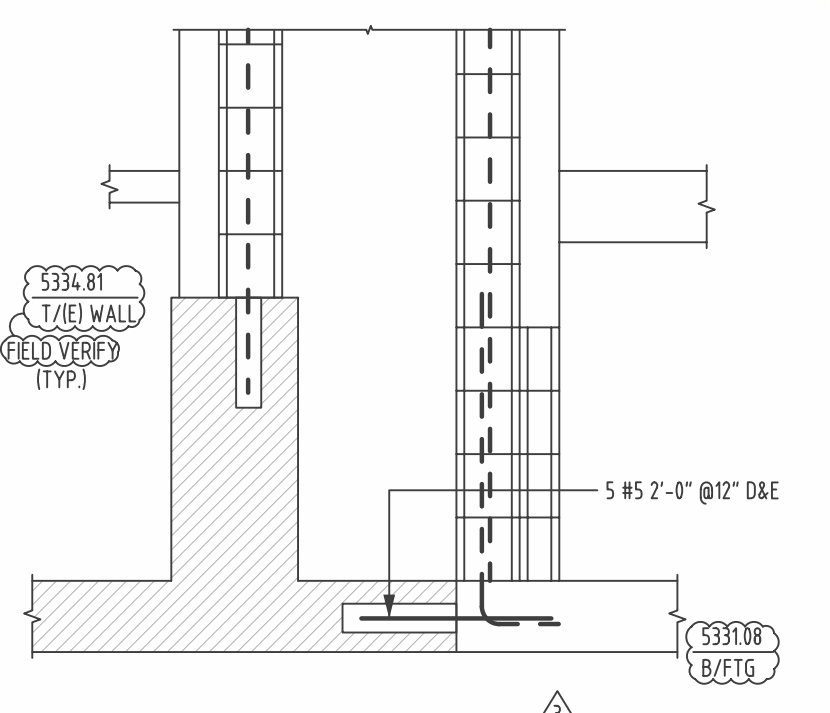
SECTION 5
SCALE: 1/2"=1'-0"
SDR: C/21 (2-LOC)



SECTION 6
SCALE: 1/2"=1'-0"
SDR: A/21



SECTION 7
SCALE: 1/2"=1'-0"
SDR: B/19



SECTION 8
SCALE: 1/2"=1'-0"
SDR: E/21

LAP SCHEDULE
(FOR CLASS D CONCRETE)

SIZE	EPOXY COATED	BLACK
#4	1'-3"	1'-1"
#5	1'-7"	1'-4"
#6	2'-5"	1'-7"
#7	2'-10"	1'-11"
#8	3'-8"	2'-5"
#9	4'-8"	3'-1"
#10	5'-11"	3'-11"
#11	7'-3"	4'-10"

ONCE REBAR SERVICES

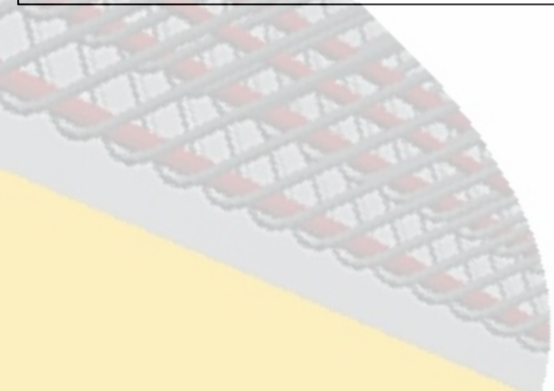
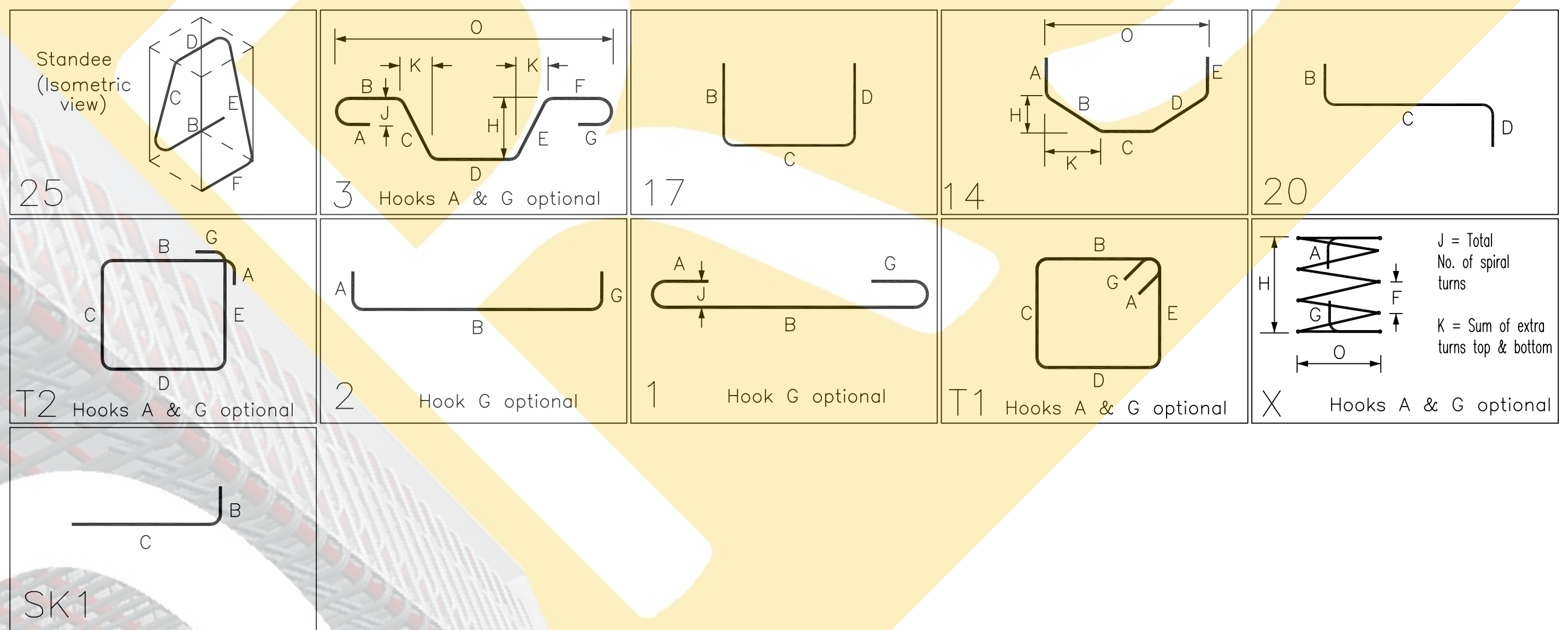
Release Number: R1.01-R1.08 (BLACK)																
BAR LIST																
Bar Mark	Qty	Size	Total Length	Type	'A'	'B'	'C'	'D'	'E'	'F'	'G'	'H'	'J'	'K'	'O'	'R'
4A01	1	#4	179'-7 1/2"	X	1'-4"					0'-10"	1'-4"	20'-2"	24.0	2.0	2'-2"	
4A02	2	#4	339'-3 1/2"	X						0'-5"		29'-7"	71.0	1.0	1'-6"	
4A03	1	#4	152'-5"	X	1'-4"					0'-10"	1'-4"	16'-5"	20.0	2.0	2'-2"	
4A05	1	#4	34'-1"	X	1'-4"					1'-0"	1'-4"	4'-2 1/2"	4.0	2.0	1'-8"	
4A07	1	#4	73'-3 1/2"	X						1'-0"		11'-11 1/2"	12.0	2.0	1'-8"	
4A08	5	#4	232'-0"	X	1'-4"					0'-5"	1'-4"	29'-7"	71.0	2.0	1'-0"	
4A09	1	#4	73'-3 1/2"	X						1'-0"		12'-2 1/2"	12.0	2.0	1'-8"	
4A10	1	#4	52'-4 1/2"	X						1'-0"		8'-1 1/2"	8.0	2.0	1'-8"	
8A01	11	#8	23'-8"	2	1'-4"	22'-4"										
8A02	11	#8	19'-11"	2	1'-4"	18'-7"										
8A03	8	#8	10'-6"	2	1'-4"	7'-10"					1'-4"					
8A04	8	#8	15'-6"	2	1'-4"	14'-2"										
8A05	8	#8	15'-9"	2	1'-4"	14'-5"										
8A06	8	#8	11'-8"	2	1'-4"	10'-4"										

Release Number: R1.01-R1.08 (EPOXY COATED)																
BAR LIST																
Bar Mark	Qty	Size	Total Length	Type	'A'	'B'	'C'	'D'	'E'	'F'	'G'	'H'	'J'	'K'	'O'	'R'
4A04	4	#4	5'-4 1/2"	25		1'-6"	0'-10 1/2"	0'-8"	0'-10 1/2"	1'-6"		0'-10"			0'-5"	
4A11	85	#4	4'-9 1/2"	25		1'-6"	0'-6 3/4"	0'-8"	0'-6 3/4"	1'-6"		0'-6 3/4"			0'-3 1/2"	
4A12	12	#4	5'-0"	17		1'-0"	4'-0"									
4A13	12	#4	4'-8"	17		1'-6"	1'-8"	1'-6"								
4A14	12	#4	14'-6 3/4"	3		4'-9"	9'-9 3/4"					0'-8 1/2"		9'-9 3/4"	14'-6 3/4"	
4A15a	1	#4	3'-3"	17		2'-0"	1'-3"									

Varies To																
4A15i	1	#4	3'-5"	17		2'-0"	1'-5"									
4A16	8	#4	4'-11 1/2"	14	1'-0"	2'-11 1/2"	1'-0"					2'-1 1/2"		2'-1 1/2"	3'-1 1/2"	
4A17	149	#4	2'-6"	17		1'-0"	1'-6"									
4A18	13	#4	14'-6 3/4"	3		4'-9"	9'-9 3/4"					0'-7 1/2"		9'-9 3/4"	14'-6 3/4"	
4A19a	1	#4	3'-3"	17		1'-3"	2'-0"									

Varies To																
4A19m	1	#4	3'-5"	17		1'-5"	2'-0"									
4A26	8	#4	16'-3 1/2"	3		0'-11 1/2"	13'-4"	2'-0"				9'-5 1/2"		9'-4 1/2"	12'-4 1/2"	
4A27	8	#4	13'-0 1/2"	20		2'-0"	9'-0 1/2"	2'-0"								
4A28	1	#4	10'-7"	T2	0'-4 1/2"	2'-5 1/2"	2'-5 1/2"	2'-5 1/2"	2'-5 1/2"			0'-4 1/2"				
4A29	77	#4	1'-2"	SK1		0'-2"	1'-0"									
5A01	52	#5	5'-4"	2	0'-10"	4'-6"										
5A02	2	#5	6'-7 1/2"	3			0'-8 1/2"	5'-2 1/2"	0'-8 1/2"			0'-4 1/2"		0'-7 1/2"	6'-5 1/2"	
5A03	2	#5	7'-10 1/2"	3		3'-11 1/2"	3'-11 1/2"					0'-11 1/2"		3'-10"	7'-9 1/2"	
5A04	6	#5	8'-1 1/2"	3		4'-0 1/2"	4'-0 1/2"					1'-4 1/2"		3'-9 1/2"	7'-10 1/2"	
5A05	2	#5	6'-11 1/2"	3			0'-8 1/2"	5'-6 3/4"	0'-8 1/2"			0'-4 1/2"		0'-7 1/2"	6'-9 1/2"	
5A06	2	#5	7'-3 1/2"	3			0'-8 1/2"	5'-10 3/4"	0'-8 1/2"			0'-4 1/2"		0'-7 1/2"	7'-1 1/2"	
5A07	2	#5	7'-7 1/2"	3			0'-8 1/2"	6'-2 1/2"	0'-8 1/2"			0'-4 1/2"		0'-7 1/2"	7'-5 1/2"	
5A08	2	#5	7'-11 1/2"	3			0'-8 1/2"	6'-6 3/4"	0'-8 1/2"			0'-4 1/2"		0'-7 1/2"	7'-9 1/2"	
5A09	2	#5	8'-3 1/2"	3			0'-8 1/2"	6'-10 3/4"	0'-8 1/2"			0'-4 1/2"		0'-7 1/2"	8'-1 1/2"	
5A10	2	#5	8'-7 1/2"	3			0'-8 1/2"	7'-2 1/2"	0'-8 1/2"			0'-4 1/2"		0'-7 1/2"	8'-5 1/2"	
5A11	2	#5	8'-11 1/2"	3			0'-8 1/2"	7'-6 3/4"	0'-8 1/2"			0'-4 1/2"		0'-7 1/2"	8'-9 1/2"	
5A12	10	#5	9'-3 1/2"	3			0'-8 1/2"	7'-10 3/4"	0'-8 1/2"			0'-4 1/2"		0'-7 1/2"	9'-1 1/2"	
5A13	464	#5	3'-1"	1	0'-7"	2'-6"							0'-5"			
5A14	2	#5	9'-5 1/2"	3		4'-9"	4'-8 1/2"					1'-7 1/2"		4'-5 1/2"	9'-2 1/2"	
5A15	2	#5	8'-0 1/2"	3		4'-0 1/2"	4'-0"					1'-4 1/2"		3'-9 1/2"	7'-9 1/2"	
5A16	4	#5	9'-7 1/2"	3			0'-8 1/2"	8'-2 1/2"	0'-8 1/2"			0'-4 1/2"		0'-7 1/2"	9'-5 1/2"	
5A17	4	#5	9'-9 1/2"	3			0'-8 1/2"	8'-4 1/2"	0'-8 1/2"			0'-4 1/2"		0'-7 1/2"	9'-6 1/2"	
5A18	4	#5	9'-11"	3			0'-8 1/2"	8'-6"	0'-8 1/2"			0'-4 1/2"		0'-7 1/2"	9'-8 1/2"	

Release Number: R1.01-R1.08 (EPOXY COATED)																
BAR LIST																
Bar Mark	Qty	Size	Total Length	Type	'A'	'B'	'C'	'D'	'E'	'F'	'G'	'H'	'J'	'K'	'O'	'R'
5A19	4	#5	10'-0 3/4"	3			0'-8 1/2"	8'-7 1/2"	0'-8 1/2"			0'-4 1/2"		0'-7 1/2"	9'-10 1/2"	
5A20	2	#5	10'-2 1/2"	3			0'-8 1/2"	8'-9 1/2"	0'-8 1/2"			0'-4 1/2"		0'-7 1/2"	10'-0"	
5A22	106	#5	4'-4"	2	0'-10"	3'-6"										
5A23	4	#5	6'-8 1/2"	3			0'-8 1/2"	5'-3 1/2"	0'-8 1/2"			0'-4 1/2"		0'-7 1/2"	6'-5 1/2"	
5A24	4	#5	7'-0 1/2"	3			0'-8 1/2"	5'-7 1/2"	0'-8 1/2"			0'-4 1/2"		0'-7 1/2"	6'-9 1/2"	
5A25	4	#5	7'-4 1/2"	3			0'-8 1/2"	5'-11 1/2"	0'-8 1/2"			0'-4 1/2"		0'-7 1/2"	7'-1 1/2"	
5A26	4	#5	7'-8 1/2"	3			0'-8 1/2"	6'-3 1/2"	0'-8 1/2"			0'-4 1/2"		0'-7 1/2"	7'-5 1/2"	
5A27	4	#5	8'-0 1/2"	3			0'-8 1/2"	6'-7 1/2"	0'-8 1/2"			0'-4 1/2"		0'-7 1/2"	7'-9 1/2"	
5A28	4	#5	8'-4 1/2"	3			0'-8 1/2"	6'-11 1/2"	0'-8 1/2"			0'-4 1/2"		0'-7 1/2"	8'-1 1/2"	
5A29	4	#5	8'-8 1/2"	3			0'-8 1/2"	7'-3 1/2"	0'-8 1/2"			0'-4 1/2"		0'-7 1/2"	8'-5 1/2"	
5A30	4	#5	9'-0 1/2"	3			0'-8 1/2"	7'-7 1/2"	0'-8 1/2"			0'-4 1/2"		0'-7 1/2"	8'-9 1/2"	
5A31	4	#5	9'-3 1/2"	3			0'-8 1/2"	7'-10 1/2"	0'-8 1/2"			0'-4 1/2"		0'-7 1/2"	9'-1"	
5A32	4	#5	7'-11 1/2"	3		3'-11 1/2"	3'-11 1/2"					1'-4"		3'-9"	7'-8 1/2"	
5A33	8	#5	9'-5 1/2"	3			0'-8 1/2"	8'-0 1/2"	0'-8 1/2"			0'-4 1/2"		0'-7 1/2"	9'-2 1/2"	
5A34	8	#5	9'-6 1/2"	3			0'-8 1/2"	8'-1 1/2"	0'-8 1/2"			0'-4 1/2"		0'-7 1/2"	9'-4 1/2"	
5A35	8	#5	9'-8 1/2"	3			0'-8 1/2"	8'-3 1/2"	0'-8 1/2"			0'-4 1/2"		0'-7 1/2"	9'-6"	
5A36	4	#5	9'-10 1/2"	3			0'-8 1/2"	8'-5 1/2"	0'-8 1/2"			0'-4 1/2"		0'-7 1/2"	9'-7 1/2"	
5A37	4	#5	9'-5 1/2"	3			4'-8 1/2"	4'-8 1/2"				1'-6 1/2"		4'-5 1/2"	9'-2"	
5A38	12	#5	5'-8 1/2"	14	1'-0"	3'-8 1/2"	1'-0"					2'-8 1/2"		2'-6 1/2"	3'-6 1/2"	
5A39	150	#5	11'-3"	1	0'-7"	10'-8"							0'-5"			
5A40	13	#5	13'-5"	T1	0'-5 1/2"	1'-8"	4'-7"	1'-8"	4'-7"		0'-5 1/2"					
5A41	13	#5	5'-8 1/2"	14	1'-0"	3'-8 1/2"	1'-0"					2'-7 1/2"		2'-8"	3'-8"	
5A51	4	#5	7'-10 1/2"	3		3'-11 1/2"	3'-11 1/2"					0'-11"		3'-10"	7'-9 1/2"	
6A01	12	#6	8'-2"	17			3'-2"	5'-0"								
6A02	293	#6	6'-7"	17			2'-1"	4'-6"								



ONCE REBAR SERVICES